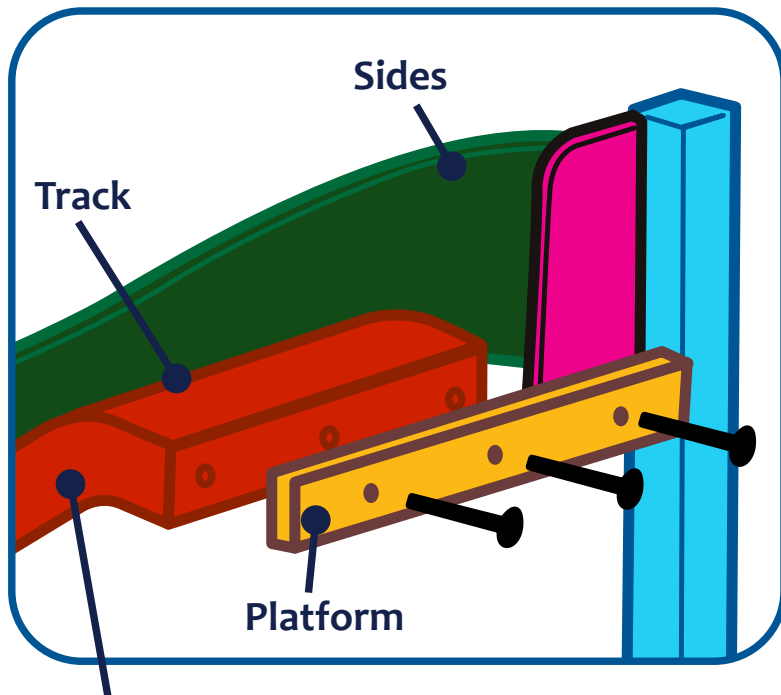


TRACK SERIES H

Installation

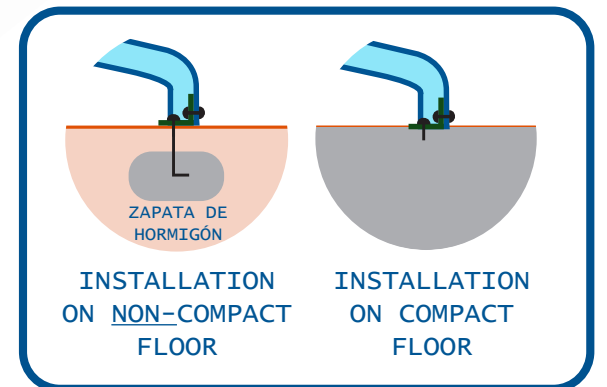
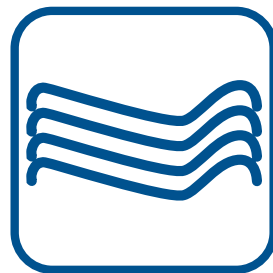
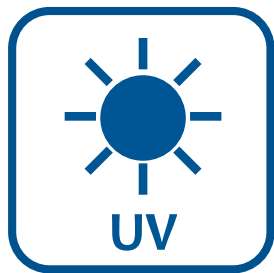


Lateral flange at 90° to the track for bolted installation to panels.

Basic slide track for attaching to protective side panels. Get multiple models just by changing the design of their sides.

It does not have a home section, since the platform itself can perform this function. Rounded edges, no sharp edges. Designed according to the requirements of the EN1176 standard. Made of GRP.

(Brackets and hardware NOT included)



AVAILABLE COLORS:

GRAY
RAL7040

LIGHT
GREEN
RAL 6018

DARK
GREEN
RAL 6029

RED
RAL 3020

BLUE
RAL 5015

YELLOW
RAL 1018

PURPLE
RAL 4005

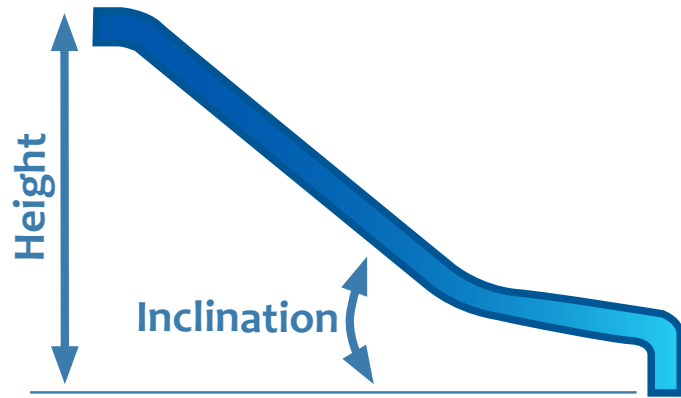
ORANGE
RAL 2009

COMPOSITE

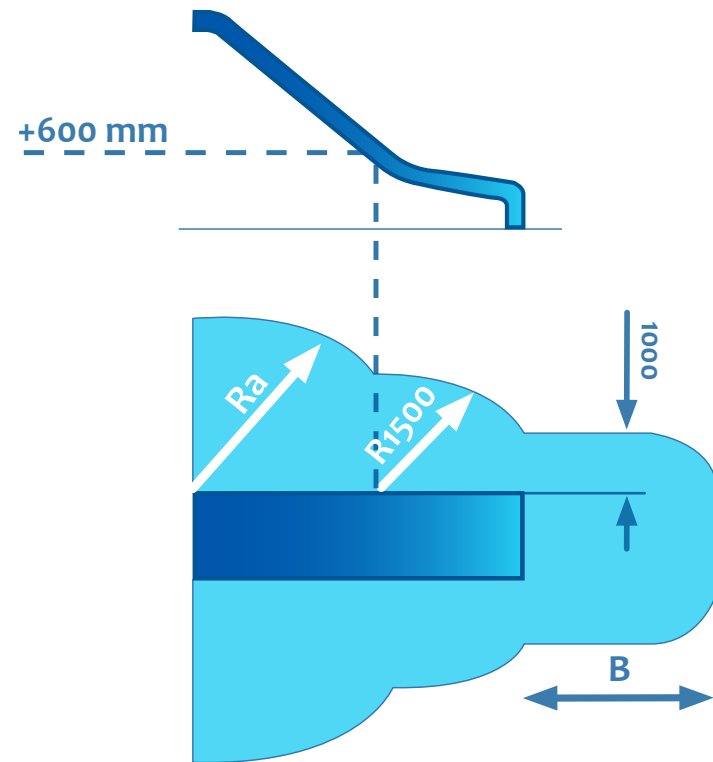
Molder Disnova Composites
www.molderdisnova.com



TRACK SERIES H



Safety clearance distances according to the requirements of the EN1176 standard



	Height	Length	Width	Inclination	Ra	B
H90	900	1.465	400	39°	1.500	2.000
H100	1.000	1.465	400	39°	1.500	2.000

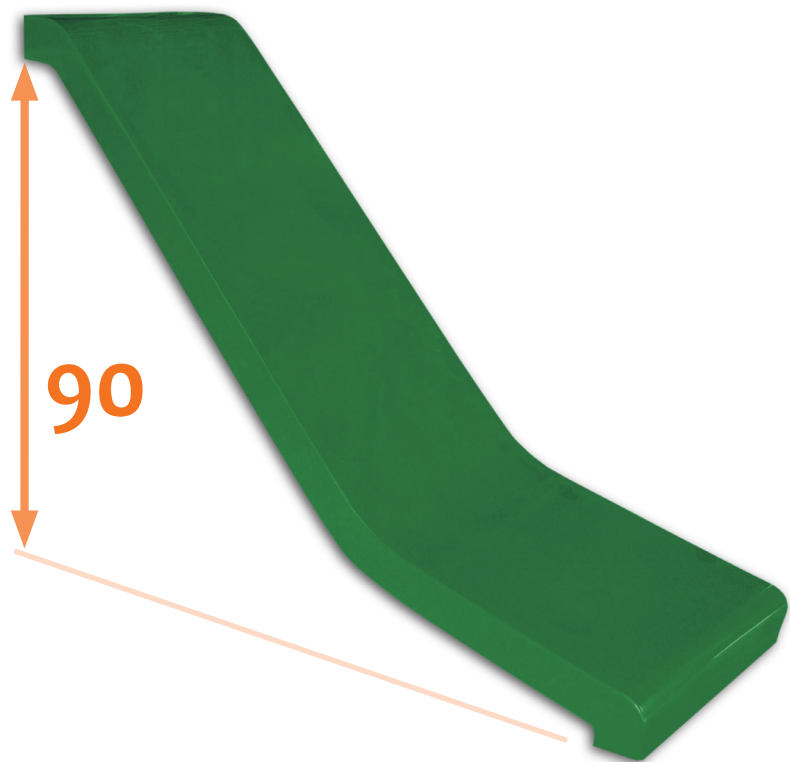
Dimensions in mm.

COMPOSITE

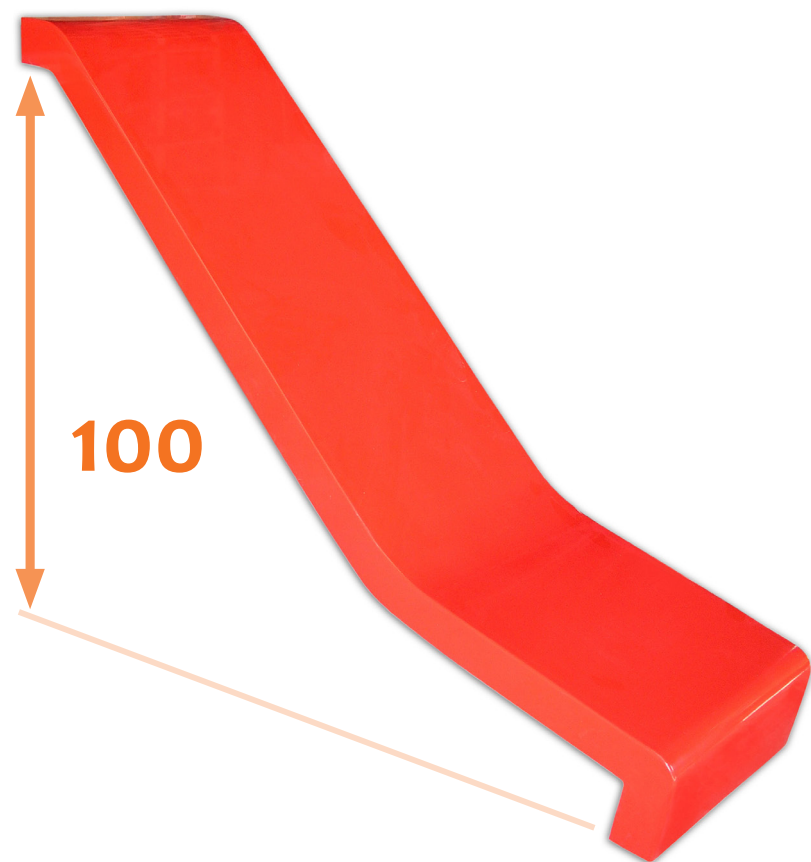


TRACK SERIES H

2 DIFFERENT MODELS



Series H 90



Series H 100

COMPOSITE

